

Operator's Handbook

Monarch® Pathfinder® Ultra®
Platinum Printer



Each product and program carries a respective written warranty, the only warranty on which the customer can rely. Avery Dennison Corp. reserves the right to make changes in the product, the programs, and their availability at any time and without notice. Although Avery Dennison Corp. has made every effort to provide complete and accurate information in this manual, Avery Dennison Corp. shall not be liable for any omissions or inaccuracies. Any update will be incorporated in a later edition of this manual.

©2006 Avery Dennison Corp. All rights reserved. No part of this publication may be reproduced, transmitted, stored in a retrieval system, or translated into any language in any form by any means, without the prior written permission of Avery Dennison.

This device has been tested and found to comply with the limits for a Class B digital device pursuant to Part 15 of the Federal Communications Commissions Rules and Regulation. These limits are designed to provide reasonable protection against harmful interference when the equipment is operated in a commercial environment. This equipment generates, uses, and can radiate radio frequency energy and, if not installed and used in accordance with the instruction manual, may cause harmful interference to radio communications. Operation of this equipment in a residential area is likely to cause harmful interference in which case the user will be required to correct the interference at his own expense. However, there is no guarantee that interference will not occur in a particular installation.

If the equipment does cause harmful interference to radio or television reception, which can be determined by turning the equipment off and on, the user is encouraged to try to correct the interference by one or more of the following measures:

- ◆ Re-orient or relocate the receiving antenna.
- ◆ Increase the separation between the equipment and receiver.
- ◆ Connect the equipment into an outlet on a circuit different from that which the receiver is connected.

This Class B digital apparatus meets the requirements of the Canadian Interference-Causing Equipment Regulations.

Cet appareil numérique de la Classe B respecte toutes les exigences du Règlement sur le Matériel Brouilleur du Canada.

Trademarks

Monarch®, Pathfinder®, Ultra®, 6039, 6063, 9462, and 9465 are trademarks of Avery Dennison Retail Information Services, LLC.

Avery Dennison® is a trademark of Avery Dennison Corporation.

Microsoft and Windows are trademarks of Microsoft Corporation.

Avery Dennison Printer Systems Division
170 Monarch Lane
Miamisburg, OH 45342

LITHIUM - ION RECHARGEABLE BATTERY.
FOR PROPER RECYCLING OR DISPOSAL, CALL
YOUR LOCAL SERVICE OFFICE.



Li-Ion



Outside the U.S., send batteries to:
EMEA, 4 Awberry Court
Croxley Business Park, Hatters

TABLE OF CONTENTS

INTRODUCTION	1-1
Using this Manual.....	1-2
Audience.....	1-2
Getting Started.....	1-2
Helpful Reminders.....	1-3
Attaching the Safety Strap.....	1-3
USING BATTERIES	2-1
Using the Main Battery.....	2-1
Charging the Main Battery.....	2-1
Changing the Main Battery.....	2-1
Charging the Backup Battery.....	2-2
Checking the Battery Status.....	2-2
Main Battery Safety Information.....	2-3
USING SUPPLIES	3-1
Loading Supplies.....	3-1
Loading for Peel Mode.....	3-2
Loading for Non-Peel Mode.....	3-4
Selecting the Supply Type.....	3-4
Removing Supplies in Peel Mode.....	3-5
ENTERING & PRINTING DATA	4-1
Using the Keypad.....	4-1
Entering Data.....	4-1
Entering Special Characters/Symbols.....	4-2
Using the Display.....	4-2
Reading the Status Bar.....	4-2
Scanning Bar Codes.....	4-3
Certification Note.....	4-4
Printing.....	4-4
Printing.....	4-5
Adjusting the Print Contrast.....	4-5
Power Management.....	4-6
Radio Frequency Communications.....	4-6

CARE & MAINTENANCE 5-1

- Cleaning 5-1
 - Cleaning the Printhead 5-1
 - Cleaning the Platen Roller 5-2
 - Cleaning the Pinch and Feed Rollers 5-2
 - Cleaning the Sensors 5-2
 - Cleaning the Scanner Window 5-3
 - Cleaning the Scanner Flex Cable 5-3
- Clearing Supply Jams 5-3
- Storing the Printer 5-4

TROUBLESHOOTING 6-1

- Checking the Software Version 6-2
- Printing a Test Label 6-2
 - Error Codes 6-3
- Technical Support 6-3

SPECIFICATIONS & ACCESSORIES A-1

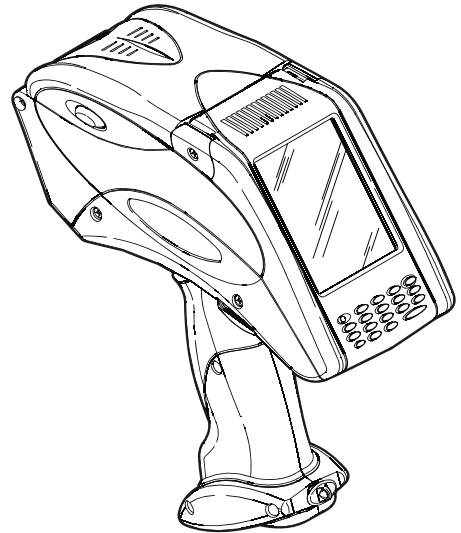
- Specifications A-1
- Accessories A-2

INTRODUCTION

The Monarch® Pathfinder® Ultra® *Platinum* 6039™ printer prints, scans bar codes, collects data, and communicates with other devices. The printer operates on a Microsoft® Windows-based CE platform.

The printer features

- ◆ Touch screen display
- ◆ 18-key alphanumeric keypad
- ◆ On-Demand and continuous printing
- ◆ Adjustable supply width capabilities
- ◆ Clock/calendar
- ◆ USB port communications
- ◆ Graphic printing capabilities
- ◆ Display backlight
- ◆ Low power shutdown to conserve the battery
- ◆ Laser scanner (factory-installed option)
- ◆ Wireless 802.11b/g Radio (factory-installed option)
- ◆ 512MB SD memory card (factory-installed option)
- ◆ 256MB Print Engine memory expansion (factory-installed option)



Using this Manual

Following is a summary of the contents of this manual:

	Chapter	Contents
1	Introduction	Information you should know before using the printer.
2	Using Batteries	Charging, changing, and using batteries safely.
3	Using Supplies	Supply loading and removal.
4	Entering and Printing Data	Information about using the display, keypad, scanner, and printing.
5	Care & Maintenance	Clearing supply jams and cleaning the printer.
6	Troubleshooting	Common problems and their solutions.
A	Specifications & Accessories	Printer specifications and accessories/options.

Audience

This manual is for the operator who scans or manually enters data and prints and applies labels.

A *Quick Reference* for this printer is available in the box. A *Programmer's Manual* and other documentation are available on our Web site.

Information in this document supercedes information in previous versions. Check our Web site for the latest documentation and release information.

Getting Started

To start using the printer, you must:

1. Review the safety information in the Regulatory Compliance document provided with your printer.
2. Charge the main battery. See "Charging the Main Battery" in Chapter 2 for more information.

Note: You *must* charge the battery before using it.

3. Insert the main battery. See "Changing the Main Battery" in Chapter 2 for more information.
4. Attach the safety strap found in the documentation package. See "Attaching the Safety Strap" later in this chapter for more information.
5. Load supplies in the printer. See "Loading the Supplies" in Chapter 3 for more information.
6. Turn on the printer.

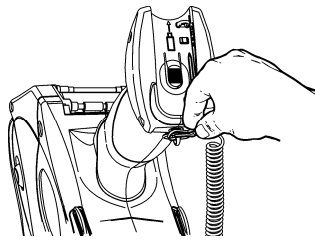
Note: Your System Administrator must load an application in the printer before you can use it.

Helpful Reminders

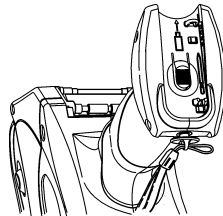
- ◆ Always start with a fully charged battery.
- ◆ Attach the safety strap to your wrist before using the printer.
- ◆ Do not pound the printer when applying labels printed in peel mode.
- ◆ Switch to a fully charged battery every time you load a new roll of supplies (doing so ensures optimum print quality).
- ◆ Turn off the printer when you are not using it.
- ◆ Operate and store the printer with the recommended temperature and humidity ranges. See Appendix A, "Specifications and Accessories," for more information.

Attaching the Safety Strap

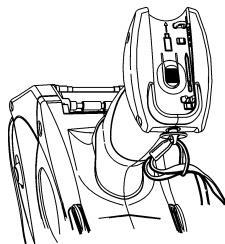
1. Turn the printer upside down, resting its top on the table.
2. Remove the stylus strap from the loop.
3. Take the thin end of the safety strap, and push it through the loop at the bottom of the printer handle (near the battery compartment).



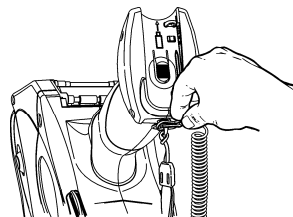
4. Push the thick end of the safety strap through the thin end's loop.



5. Pull the strap. It may be necessary to help the thin end's loop fit over the plastic piece in the middle of the strap and pull the strap tight.



6. Attach the stylus strap to the loop as shown.



USING BATTERIES

The printer uses two batteries: a main battery and a backup battery.

Battery	Use
Main	Running the printer. It is also rechargeable using the Monarch® 9462™ single-station or the Monarch® 9465™ four-station charger.
Backup	Maintaining the printer's system settings.

Using the Main Battery

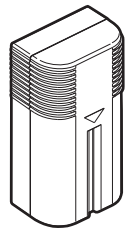
The printer's main power source is a 7.4V lithium-ion battery.

Note: The printer *only* takes this battery. **Do not** substitute batteries.

You must charge the battery when you receive the printer, even if you do not use it right away.

Charging the Main Battery

To charge the main battery, use either the 9462 single-station or 9465 four-station battery chargers. Refer to the documentation provided with the chargers for more information. Charging time is approximately 1.5 – 3 hours.

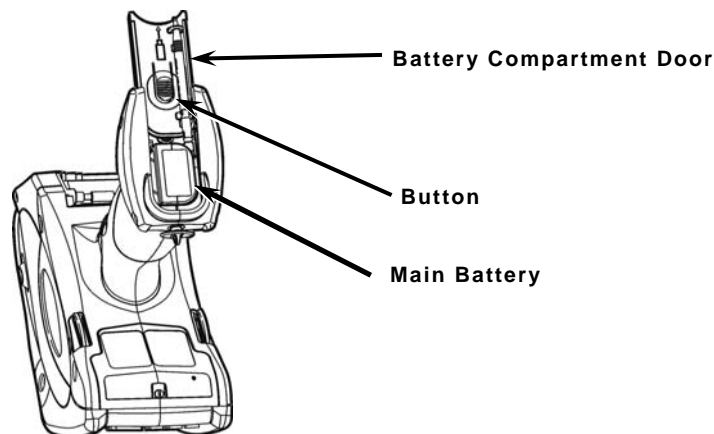


Warning: The battery might explode if placed on a different charger.

Changing the Main Battery

To change the main battery:

1. Turn the printer over and press the button on the battery compartment door (at the bottom of the printer's handle) and slide it open.




7. Turn the printer upright, holding your palm beneath the open battery compartment. Hit the printer on your hand and catch the battery as it slides out.
8. Insert a new battery into the compartment (connector end first).
9. Slide the compartment door shut until clicks into place.

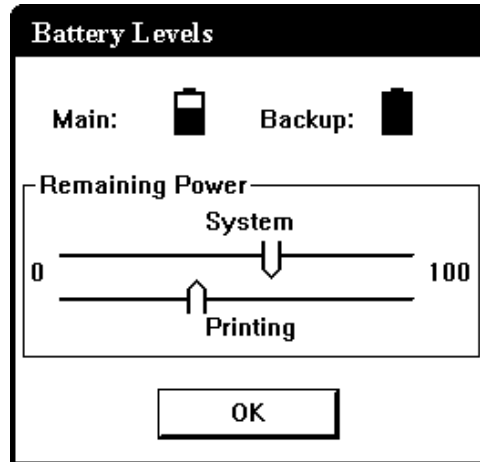
Charging the Backup Battery

Some printers support backup battery charging. Contact your Service representative for more information.

Checking the Battery Status

The printer easily provides the status of the main and backup batteries.

1. Tap the battery icon () on the Status Bar on the display.



Power Supply	Description
Main Battery	Shows the status of the main battery. If the status is low, printing may be interrupted. Replace the main battery in the printer with a fully charged battery.
Backup Battery	Shows the status of the backup battery. If you replace the main battery, its charge depletes while charging the backup battery. You cannot replace the backup battery.
Remaining Power	Shows the power levels of the main battery for system operations and printing. If the printing power level is low, you may still be able to use Windows functions, but you do not have enough battery power to print. Replace the main battery in the printer with a fully charged battery.

2. Tap OK.

Main Battery Safety Information

- ◆ You must charge the battery before using it. For optimal battery life, charge the battery within three months of receipt.

Warning: The battery might explode if placed on a different charger.

- ◆ Take the battery out of the printer when storing the printer for a month or longer.
- ◆ The optimal battery storage temperature is 50°F – 73°F (10°C – 23°C), with a maximum of 104°F (40°C). The battery may lose its charge capacity permanently if stored at temperatures less than 32°F (0°C) or greater than 104°F (40°C). For longest life, the battery should be stored in a cool, dry place.
- ◆ The operating temperature for the battery is the same as for the printer. See Appendix A, “Specifications and Accessories,” for more information.
- ◆ The recommended charging temperature is 68°F – 77°F (20°C – 25°C)
- ◆ Recycle Information – Do not throw in trash. Recycle to your local regulations. The Rechargeable Battery Recycling Corporation (RBRC®) is a non-profit organization created to promote recycling of rechargeable batteries. For more information about how to recycle batteries in your area, visit www.rbrc.org. Batteries can also be returned postage-paid to:

Avery Dennison ERC
200 Monarch Lane
Door #39
Miamisburg, OH 45342

Caution: Do not disassemble, short-circuit, heat above 80°C, or incinerate the battery. It may explode.

- ◆ **Do not** let the battery come into contact with metal objects.
- ◆ **Do not** use a battery with a cracked case.
- ◆ **Do not** let the battery get wet.
- ◆ It is normal for battery capacity to decrease up to 20% over the first 300 cycles of use.
- ◆ The battery should be charged before long-term storage or after the battery has been exhausted from a printing session. Frequent charging actually prolongs battery life and has no negative effects such as memory loss.
- ◆ The printer uses battery power even when the printer is not printing. Remove the printer’s main battery and place on a charger when the printer is not in use.

Many factors affect your battery’s performance, including the quantity of labels printed, percentage of black per label, and power management.

The printer can use three types of supplies:

- ◆ Labels
- ◆ Tags
- ◆ Receipt Paper.

See “Selecting the Supply Type” in this chapter for more information.

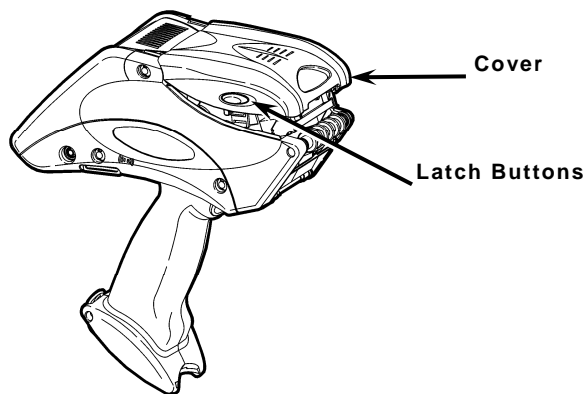
There are two print modes. The way you load the supplies depends on the print mode you use.

- ◆ *Peel mode* removes the backing paper from the supplies as it prints the labels. This mode allows you to apply the label immediately. It is only for labels. When using the on-demand sensor, you can press the trigger to print a label or the next label prints automatically when the previous one is removed.
- ◆ *Non-Peel mode* does not remove the backing paper. It is for labels printed in a continuous strip, tags, and receipt paper.

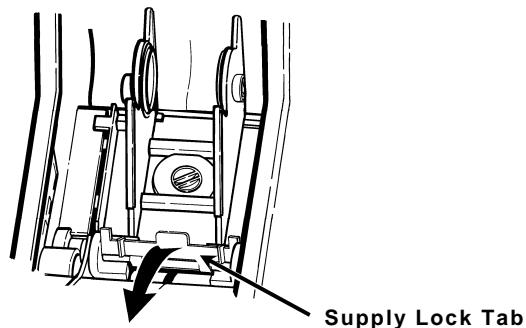
Loading Supplies

To load supplies:

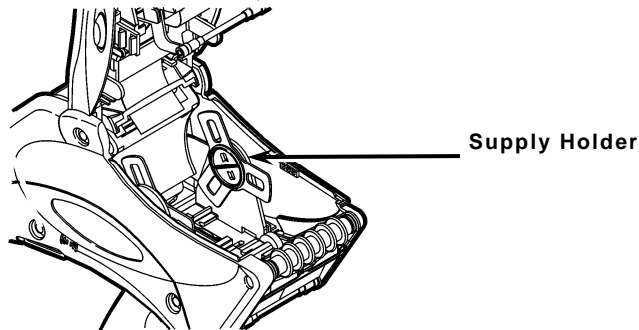
1. Turn on the printer.
2. Press the latch buttons and open the supply cover.



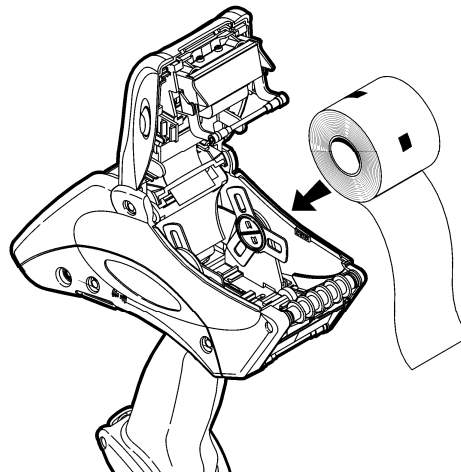
3. Pull back the supply lock tab.



4. Open the spring-loaded supply holder. Spread the supply holder tabs apart with one hand so it adjusts to the size of your supply roll. You can set it at 1.2", 1.5", and 2.0".



5. Place the supply roll in the supply holder so the supply feeds labels from the bottom.

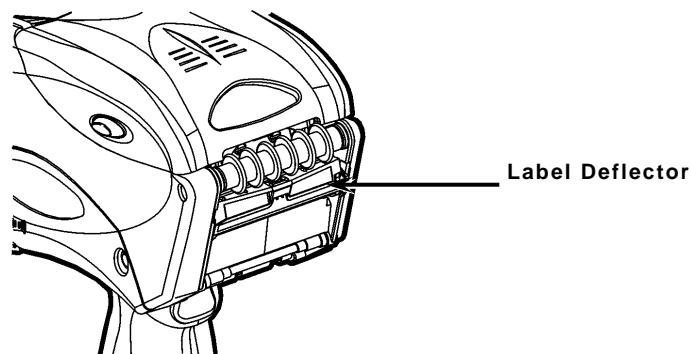


6. Load the supplies for the print mode you want. See "Loading for Peel Mode" or "Loading for Non-Peel Mode" for more information.

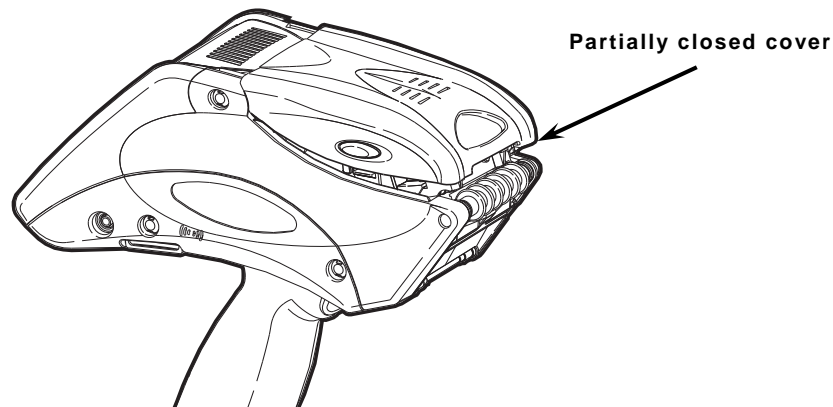
Loading for Peel Mode

To load supplies for peel mode:

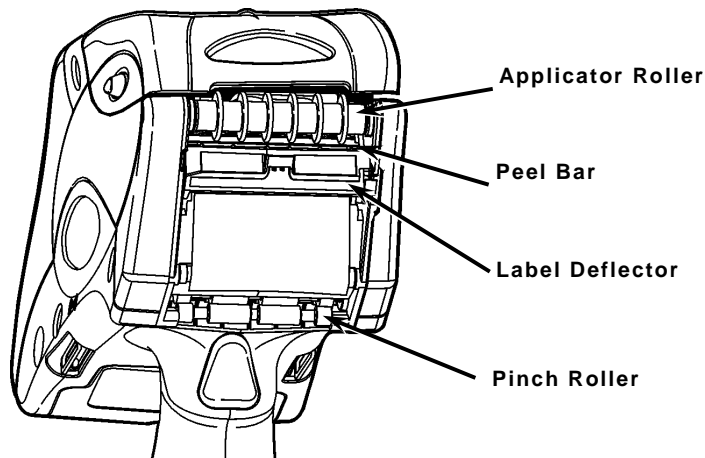
1. Peel and discard the first four inches of labels from the backing paper.
2. Hold the printer upright and gently press down on the label deflector. (It may be stiff.)



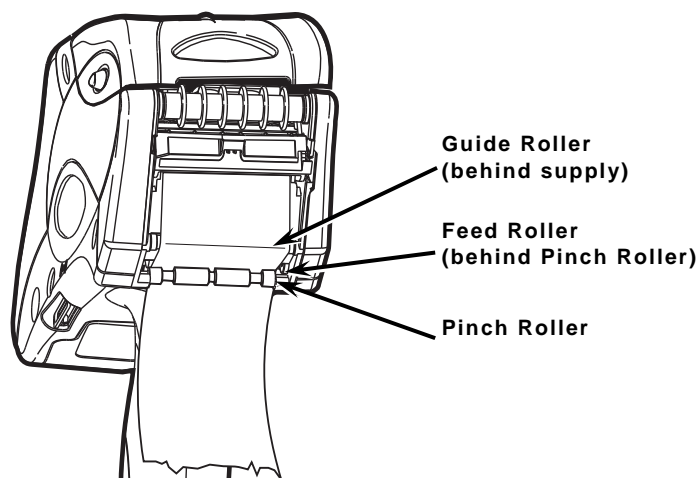
3. Feed all four inches of the backing paper under the applicator roller, over the peel bar, and under the label deflector.
4. Push the label deflector up until it snaps into place.
5. Partially close the cover to the first position.



6. Pull enough backing paper over the guide roller to reach the pinch and feed rollers.



7. Hold the backing paper edge between the feed and pinch rollers and press the trigger. Or, select Load Supply from the printer icon menu, then press the trigger.

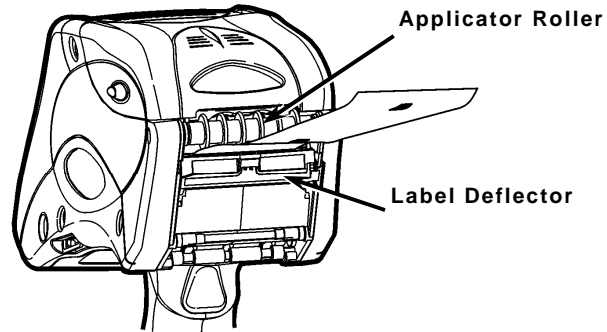


8. Close the cover.
9. From the Load Supply menu, choose your supply type, and then select Calibrate.

Loading for Non-Peel Mode

To load supplies for non-peel mode:

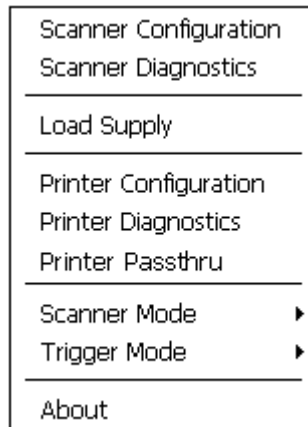
1. Feed the supply under the applicator roller and over the label deflector.



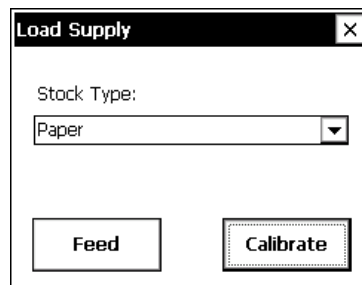
2. Close the supply cover.
3. Tap Load Supply from the printer icon menu, then Calibrate.

Selecting the Supply Type

To select the supply type:



1. Tap the printer icon from the Status Bar.
2. Tap Load Supply. An hourglass appears briefly, then you see



3. Select the supply type you are using:

Supply	Used For
Paper	Labels and tags
Fax	Receipt paper
Synthetic	Labels and Tags

4. Tap Feed to advance a label or Calibrate to register the black mark.

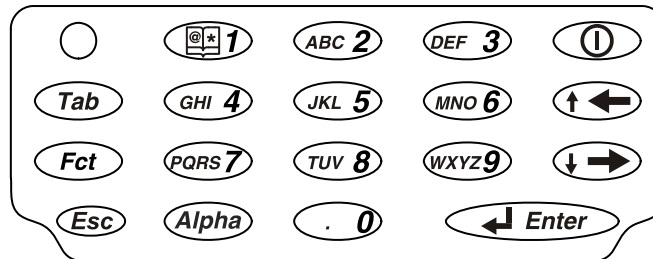
Removing Supplies in Peel Mode

To remove supplies in peel mode:

1. Tear the backing paper just above the pinch roller.
2. Open the supply cover completely.
3. Spread the supply holder tabs apart with one hand and remove the supply roll.
4. Carefully pull out the supply backing paper still in place between the pinch and feed rollers.

This chapter explains the printer's features and how to use them.

Using the Keypad



The printer's keypad appears below.

Key(s)	Description
<i>Enter</i>	Accepts data or a menu selection.
<i>Tab</i>	Tabs to the next tab stop or the next field. Pressing Fct + Tab backspaces a tab stop or returns to the previous field.
<i>Fct</i>	Performs an application-defined function when pressed with a single-digit number.
<i>Esc</i>	Exits the current screen or application.
<i>Alpha</i>	Enters upper case or lower-case alphabetic mode.
Right Arrow	Moves the cursor to the right in a menu. Pressing Fct + right arrow scrolls the cursor down in a menu.
Left Arrow	Moves the cursor to the left in a menu. Pressing Fct + left arrow scrolls the cursor up in a menu. Backspaces in Alpha mode.
On/Off ⓘ	Turns the printer on and off.
Numeric/Alphabetic	Displays a numeric digit or letter. See "Entering Special Characters/Symbols" for more information.

Entering Data

Entering data using the keypad is similar to entering data on a cell phone. There are three data entry modes:

- ◆ **Normal (Numeric) mode** – *Default*. Press the key to display what appears on the face of the key (numbers).
- ◆ **Lower-Case Alphabetic mode** – Press **Alpha** once to display lower-case letters. Press the key several times until you see the letter you need. For example, to select lower-case c, press **Alpha** once and **2** three times.
- ◆ **Upper-Case Alphabetic mode** – Press **Alpha** twice to display upper-letters. Press the key several times until you see the letter you need. For example, to select upper-case C, press **Alpha** twice and **2** three times.

Entering Special Characters/Symbols

The table shows how to enter special characters and symbols when in Lower-case and Upper-case Alpha Mode. For lower-case Alpha mode, press **Alpha** once. For upper-case Alpha mode, press **Alpha** twice.

Press Key	Lower-case Alpha Mode	Upper-case Alpha Mode
1	<space> : < (‘	<space> ; >) “
0	. - + / *	. = @ % \$

Using the Display

The printer has a touch screen display similar to a hand held computer. Use the stylus to select the option you want from the display. The printer also has a screen protector. To order a replacement screen protector, see Appendix A, “Specifications and Accessories” for more information.







Note: Only use the stylus on the display. Pens and other items can cause damage. Use distilled water and a soft cloth to clean the display. **Do not use household cleaners.**

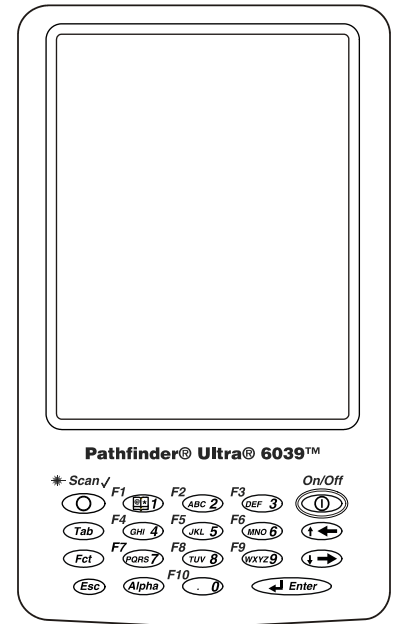
To change the display backlight, sound (beep), and other standard Windows options, from the Start Menu, tap **Settings, Control Panel**.

The display has a Status Bar that includes the time. See “Reading the Status Bar” for more information.

Reading the Status Bar

The Status Bar has the following indicators:

Indicator	Description
	Lower-case Alpha Mode
	Upper-case Alpha Mode
	Function Mode
	Battery Status. See “Checking the Battery Status” in Chapter 2 for more information.
	Load Supply option and printer configuration. Note: Scanner Configuration, Scanner Diagnostics, Scanner Mode, Printer Configuration, Trigger Mode, and Diagnostics are used by your System Administrator. Refer to the “System Administrator’s Guide” for more information.
	Input Panel or Keyboard. A qwerty keyboard appears on the display.

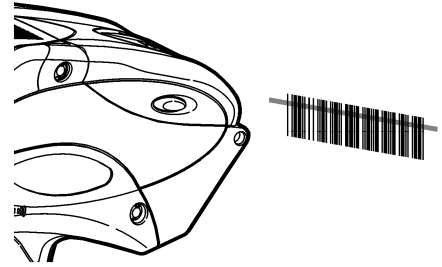


Scanning Bar Codes

Your printer may have a built-in scanner.

To scan a bar code:

1. Attach the safety strap to your wrist.
2. Point the scanner at a slight angle approximately 4 – 8 inches from the bar code symbol.
3. Press the trigger or other key specified by your System Administrator.



Caution: Do not stare into the beam.

The scanner LED is at the top left of the keypad, opposite the On/Off key.

Scanner LED	Description
Green	Successful scan.
Amber	Unsuccessful scan.

If the bar code does not scan:

- ◆ Change the scanner's angle slightly and try again.
- ◆ Clean the scanner window. See "Cleaning" in Chapter 5 for more information.
- ◆ Move the scanner 4 – 8 inches away from the bar code. Adjust this distance as needed to find the correct distance.
- ◆ Try scanning another bar code that you have scanned successfully. If that scan is successful, the scanning problem is with the bar code.
- ◆ Move to a more dimly lit area.
- ◆ Ensure there are no voids (streaks) in the bar code symbol.

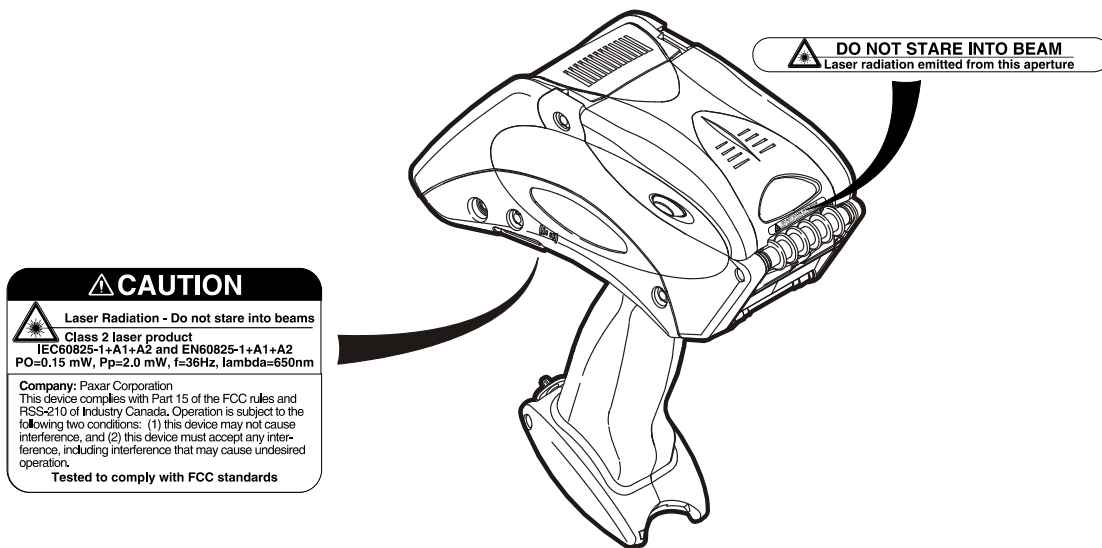
If the scan is still unsuccessful, ask your System Administrator to perform a scanner test.

Certification Note

This product is certified to be a Class II laser product with the United States DHHS Center for Devices and Radiological Health and complies with 21CFR1040.10 and 1040.11 except for deviations pursuant to Laser Notice No. 50, dated July 26, 2001, The scanner emits less than 2.0 milliwatt beam of laser light from the scanning window. Laser light in excess of Class I limits must be inside a protective cover. No maintenance is required to keep this product in compliance with EN 60825, IEC60825, and DHHS Regulation 21, Subchapter J. No controls are provided for operation or maintenance.

Caution: Use of controls, adjustments or performance of procedures other than those specified herein may result in hazardous laser light exposure.

Class II laser scanners use a low power, visible light diode. As with any very bright light source, such as the sun, the user should avoid staring directly into the light beam. Momentary exposure to a Class II laser is not known to be harmful.



Printing

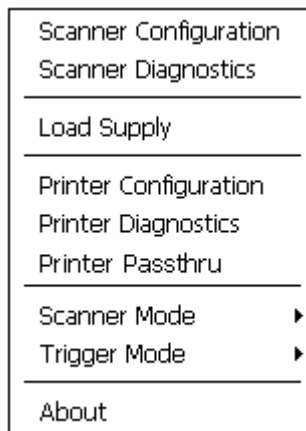
When and how you print depends on your printer's application. It may print

- ◆ only after you press a certain key
- ◆ automatically as soon as you press a key
- ◆ automatically with no input from you
- ◆ one label or a strip of labels.

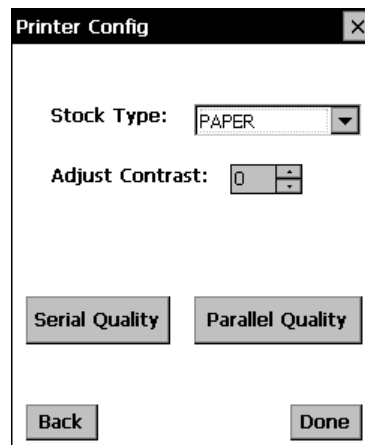
Adjusting the Print Contrast

To adjust the print contrast:

1. Tap the printer icon from the Status Bar.



2. Tap **Printer Configuration**. An hourglass appears briefly, then you see

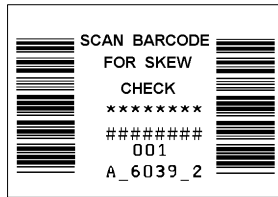


Select the Supply type you are using:

Supply Type	Used For
Paper	Labels and tags
Fax	Receipt paper
Synthetic	Labels and Tags

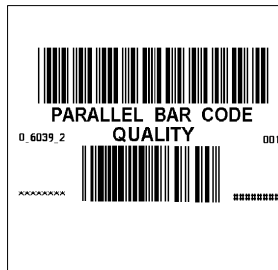
Select:	Description
Adjust Contrast	<p>Scroll to change contrast. The higher the number, the darker the print; the lower the number, the lighter the print.</p> <p>The print contrast controls the darkness of the printing on your supply. The range is -28 to +40 and the default is 0. You may need to increase or decrease the print contrast depending on your supply type. Having the correct print contrast setting is important because it affects how well your barcodes scan and how long your printhead lasts.</p>

Serial Quality



A label prints with barcodes to scan to check the quality of serial bar codes.

Parallel Quality



A label prints with barcodes to scan to check the quality of parallel bar codes

3. Tap **Back** or **X** in the upper-right hand corner of the screen to return to previous screen.

Power Management

The printer will shut off after a predetermined amount of idle time. The printer will “wake up” when you start using it again. Turn off the backlight to conserve power when leaving the printer on and idle. From the Control Panel, tap **Power, Display, Backlight**.

Radio Frequency Communications

Your printer may be able to communicate with other printers, an access point, or network via radio frequency (RF) communications. Your System Administrator can tell you if you have this feature and any special procedures you need to perform.

Caring for and properly maintaining your printer protects it and keeps it running smoothly. This chapter explains how to

- ◆ clean the printhead, platen roller, sensors, and scanner window
- ◆ clear supply jams
- ◆ store the printer.

Cleaning

It is important to keep the printer clean. You must clean five main areas:

- ◆ Printhead
- ◆ Platen Roller
- ◆ Sensors
- ◆ Scanner Window
- ◆ Scanner Flex Cable

Do not use sharp objects to clean the printer.

Do not use household cleaners to clean the printer.

Cleaning the Printhead

Clean the printhead

- ◆ after using 7-10 rolls of supplies
- ◆ in extreme temperatures, humid conditions, or a dirty environment
- ◆ when you see voids in the print
- ◆ after a supply jam.

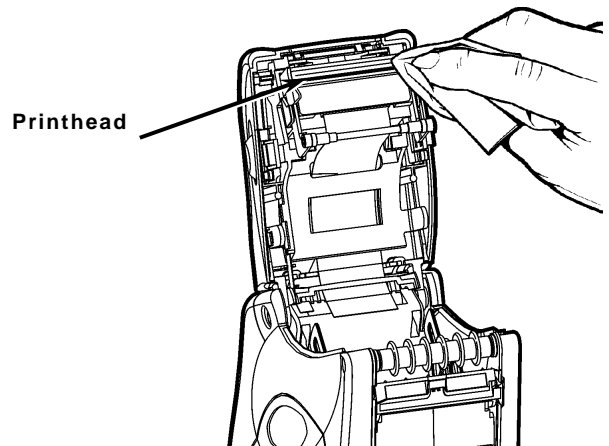
Cautions:

The following actions may damage the printhead and void your warranty.

- ◆ **Do not** use silicone to clean or lubricate.
- ◆ **Do not** use sharp objects to remove adhesive or label particles from the printhead area.
- ◆ **Do not** touch the printhead with your fingers.

To clean the printhead:

1. Turn off the printer.
2. Open the supply cover and remove the supplies.
See “Removing Supplies” in Chapter 3 for more information.

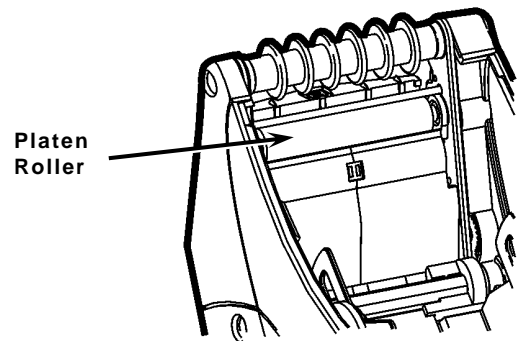


3. Check the supply holder for adhesive buildup and clean it if necessary.
4. Ground yourself by touching a metal object other than the printer. Grounding prevents electrostatic discharge, which may damage your printer.
5. Clean the printhead area of all adhesive and label particles using a Cleaning Pen (#114226) or a soft cloth moistened with isopropyl alcohol.
6. Reload the supply roll and close the supply cover.

Cleaning the Platen Roller

Clean the platen roller when you see significant adhesive build-up or when a label is wrapped around the platen roller.

1. Turn off the printer and open the supply cover.
2. Remove the supplies. See “Removing Supplies” in Chapter 3 for more information.
3. Hold the printer upright and gently press down on the label deflector. It may be stiff.
4. Use a dry, soft-bristle brush, such as a toothbrush, to clean the platen roller.
5. Turn the platen roller with your finger and then continue cleaning.
6. Reload the supplies, close the label deflector and supply cover.



If the brush does not remove all the adhesive use isopropyl alcohol ONLY on the platen roller. Moisten a cotton swab with isopropyl alcohol and run the cotton swab across the platen roller. Turn the platen roller with your finger to make sure it is clean all the way around. After cleaning, feed several inches of supply through without printing to remove any remaining isopropyl alcohol.

Cleaning the Pinch and Feed Rollers

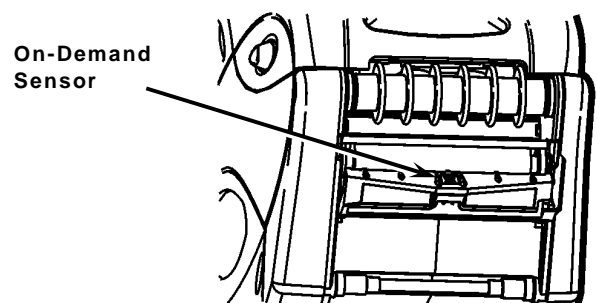
To clean the pinch and feed rollers:

1. Turn off the printer and open the supply cover.
2. Remove the supplies. See “Removing Supplies” in Chapter 3 for more information.
3. Turn the platen roller with your fingers while running a dry, lint-free cloth across the pinch and feed rollers as they turn. Make sure the rollers are clean all the way around. If necessary, use a cloth dampened slightly with distilled water.
4. Reload the supplies after the printer dries.

Cleaning the Sensors

To clean the on-demand sensor:

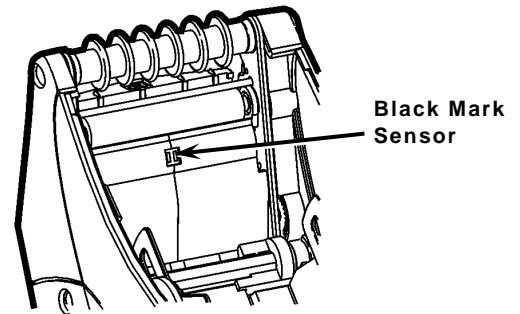
1. Turn off the printer and open the supply cover.



2. Remove the supplies. See “Removing Supplies” in Chapter 3 for more information.
3. Open the label deflector by gently pressing down with two fingers.
4. Clean the on-demand sensor with a soft cloth moistened with distilled water.
5. Reload the supplies, close the label deflector and supply cover.

To clean the black mark sensor:

1. Turn off the printer and open the supply cover.
2. Remove the supplies. See “Removing Supplies” in Chapter 3 for more information.
3. Clean the black mark sensor with a dry cotton swab.
4. Reload the supplies and close the supply cover.



Cleaning the Scanner Window

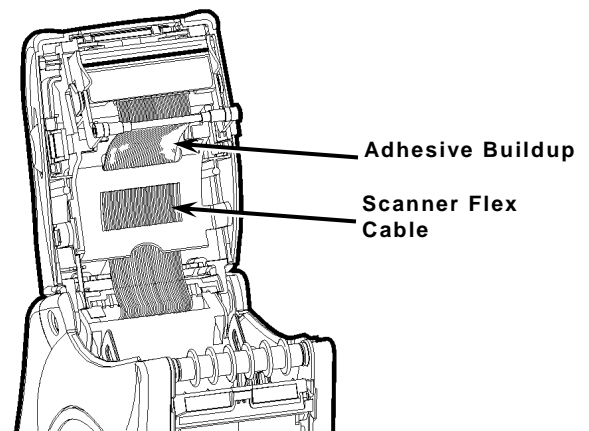
Clean the scanner window whenever it appears to be dirty or smeared. To clean it:

1. Moisten a soft cloth with distilled water. **Do not** use household cleaners to clean the printer.
2. Wipe the window until it is completely clean.

Cleaning the Scanner Flex Cable

Occasionally, adhesive buildup appears on the scanner flex cable, as shown below. To clean the cable:

1. Turn off the printer and open the supply cover.
2. Inspect the scanner flex cable. At any place that adhesive buildup appears, clean the cable with 99% isopropyl alcohol and a cotton swab.
3. Close the supply cover.



Clearing Supply Jams

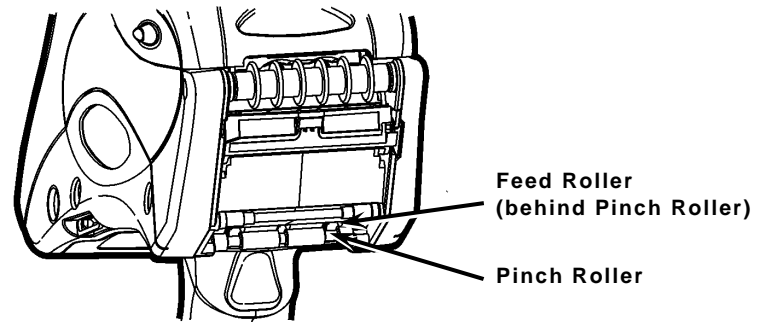
To clear a supply jam:

1. Turn off the printer and open the supply cover completely.
2. Open the label deflector by gently pressing down on it with two fingers.
3. Remove the supplies. See “Removing Supplies” in Chapter 3 for more information.

- Carefully remove any jammed supply and close the deflector.

Note: **Do not** pull the jammed supply out through the front of the label deflector. **Do not** use sharp objects to remove jammed supplies.

- Carefully remove any jammed supply between the pinch and feed rollers.
- Clean any adhesive build-up.
- Reload the supplies and close the label deflector.



Storing the Printer

Do not store the printer in or near

- ◆ magnetic fields
- ◆ wet or damp areas
- ◆ dirty or dusty areas
- ◆ areas of intense vibration or shock.

TROUBLESHOOTING

6

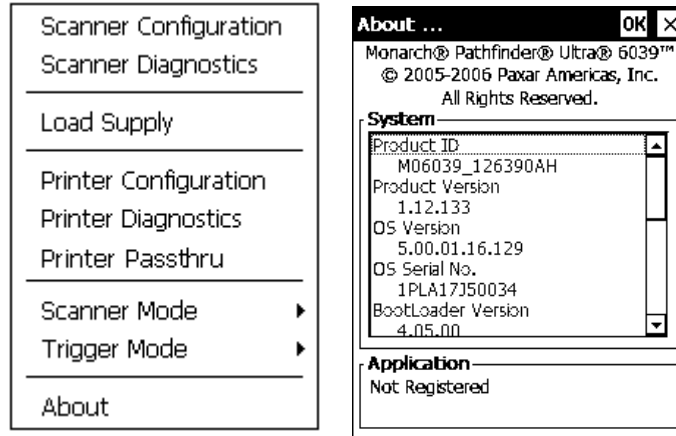
This section lists some common printer problems and their solutions.

Problem	Solution
Printer does not feed.	Switch to a fully charged battery. Close the supply cover completely. Load the supply correctly. See “Loading Supplies” in Chapter 3 for more information. Check the platen roller for jammed labels.
Printer does not print.	Switch to a fully charged battery. Load the supply correctly. See “Loading Supplies” in Chapter 3 for more information. Clean the printhead. See “Cleaning the Printhead” in Chapter 5 for more information.
Print has voids or is too light.	Load the supply correctly. See “Loading Supplies” in Chapter 3 for more information. Close the supply cover completely. Switch to a fully charged battery. Clean the printhead. See “Cleaning the Printhead” in Chapter 5 for more information. Check the supply for damage or defects.
Printer partially prints on the supply and fails to respond to the keypad or trigger.	Load the supply correctly or load new supplies, if necessary. See “Loading Supplies” in Chapter 3 for more information. Clear any supply jams. Clean the printhead. See “Cleaning the Printhead” in Chapter 5 for more information. Switch to a fully charged battery.
Scanner does not scan a bar code.	See “Scanning Bar Codes” in Chapter 4 for more information.
The display does not turn on.	Make sure the power is on. Switch to a fully charged battery.
Printer and display locks up.	Push your stylus into the tiny hole under the left side of keypad and soft reset the printer.

Checking the Software Version

To check the Software version of the printer, the Ultra Class library, the scanner configuration, printer diagnostics, and the Application version:

1. Tap the printer icon from Status Bar on the display.



2. Tap About.

Printing a Test Label

To print a Test Label:

1. Tap the printer icon from Status Bar on the display.
2. Tap Printer Diagnostics.
3. Tap Printer from the Printer Diagnostics menu.
4. Tap Diagnostic Labels from the Printer Tests menu.
5. Tap Diag Label from the Diagnostic Labels menu.

The following labels **print**:

```
Monarch
MODEL:6039 S/M:Version 1.0
A,0,0,0,0,0; B,0,0,0,0,0;
C,3,0,0,0,0;
D,1,0,2;
E,{,,",,},,,-,0d/0a;
F,4,1,0,0,3;
G,0,0,0;
H,D,R,640; H,F,R,320;
I,I,R,380; H,R,R,40;
M,T,R,10; M,V,R,640;
```

```
Monarch
MODEL:M6039S/M:Version 1.0
TOTAL INCHES: 0000505
HI ENERGY INCHES: 0000000
VOLTAGE: 07.45
CONTRAST POT: N/A
PH RESISTANCE: (0384) 0319
BAD DOTS: 000
MEMORY: 1024KR/2048KN
OPTIONS: --
SMID: N/A
```

The first diagnostic (test) label shows the model number, software version, and the printer's configuration by packet. Refer to the *Programmer's Manual* for more information about configuration packets. The second diagnostic (test) label shows the model number, software version, total number of inches printed, voltage, print contrast, printhead resistance, number of bad dots, and memory.

Error Codes

This section lists common error codes and what they mean.

Code(s)	Description
004 - 005	Supply size is incorrect. Reload the correct supplies.
267 – 271 410 - 413	Communication error. See your System Administrator.
703 - 704	Supply Error. Load supplies or make sure they are loaded correctly. See “Loading Supplies” in Chapter 3 for more information.
750	Printhead is overheated. Turn off the printer to let it cool.
751 - 753	The printer sensed a problem with a mark on the supplies. Check the supplies to see if they are loaded correctly.
756	The printer is out of supplies. Load supplies. See “Loading Supplies” in Chapter 3 for more information.
757	The calibrated supply length differs by plus or minus .25 inches from the format. Load supplies.
758	Check supply. Either the supply is not seen, or the on-demand sensor is broken (purchase optional). Check for a label jam. Clear the supply path or reload supplies. The printer does not recalibrate after this error.
762	Low battery. Recharge the battery. See “Charging the Main Battery” in Chapter 2 for more information.
763	Waiting to dispense label. Press Enter .
768	Printhead error. See your System Administrator.
790 - 791	The printer is busy or has an error pending. Turn off the printer, wait two seconds, and then turn it back on.
904 – 911	System error. See your System Administrator.
SYSTEM ERROR VECTOR ##	System error. See your System Administrator.

Technical Support

If these solutions do not work or you have a problem or error code not listed, see your System Administrator or call Service at the number listed on the back of this manual.



SPECIFICATIONS & ACCESSORIES

Specifications

Dimensions:	Width – 9.2" (233mm) Length – 3.5" (89mm) Height – 10.35" (263mm) Weight – 2.25 lbs. (1 kg) Shipping Weight – 5.86 lbs. (2.66 kg)
Printhead:	1.89" (48mm/384 dots) (203 dots per inch)
Printing:	Thermal direct (no ink /ribbon)
Print Speed:	Up to 4" (102 mm) per second
Memory:	64MB RAM and 64MB Flash
Battery Type:	7.4V Lithium-Ion (110V – 240V AC adapter) 3.6V Lithium-Ion (internal)
Battery Recharge Time:	1 – 3 hours, depending on the charger used.
Supply Sizes:	Width 0.50", 1.2", 1.5", and 2.0" (12.7mm, 30mm, 38mm, and 51mm) Lengths .55" – 4.0" (14mm –102mm) <ul style="list-style-type: none">◆ Peel mode supports .785" (20 mm) or greater lengths.◆ Non-Peel mode supports .55" (13.97mm) or greater lengths.
Operating Temperature:	40°F – 110°F (4°C – 43°C)
Humidity (Operating & Storage):	5% – 90% non-condensing

Accessories

This section lists accessories available for your printer and their part numbers.

Part Number	Description
M09462	Single-Station Battery Charger
M09465	Four-Station Battery Charger
M06063	AC Adapter
114226	Cleaning Pen
125859	USB Cable
120095	Extra Battery
125849	Screen Protector
125847	Stylus
124053	Deluxe Wrist Strap
126791	Petite Wrist Strap
127333	Shoulder Strap
M0PHOL0401	Holster/Belt/Pouch
M0PHOL0402	Holster only
125897	Acrylic Stand



028028

Avery Dennison Printer Systems Division
170 Monarch Lane
Miamisburg, OH 45342

1-800-543-6650 (In the U.S.A.)
1-800-387-4740 (In Canada)
www.monarch.com

